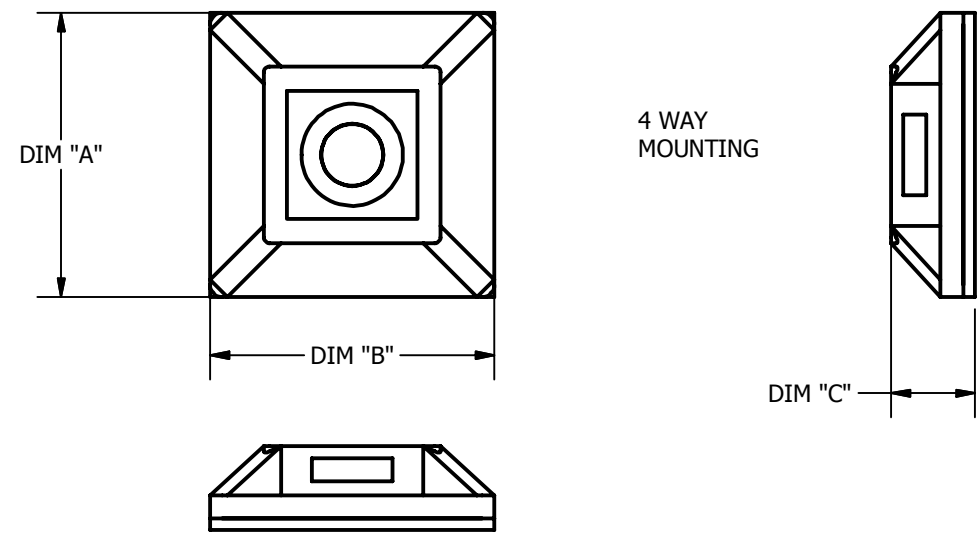


| BURNDY® ITEM NUMBER | BURNDY® CATALOG NUMBER | MOUNTING METHOD | UL TYPE DESIGNATION | MECHANICAL STRENGTH LB / KG | MAX SLOT TIE WIDTH IN/MM | DIM "A" | DIM "B" | HEIGHT DIM 'C" | MATERIAL | COLOR | PKG QTY | MIN OPR TEMP F / C | MAX OPR TEMP F / C | BAG HEIGHT | BAG WIDTH |
|---------------------------|------------------------------|--|------------------------|-----------------------------------|--------------------------------|--------------|--------------|----------------------|-----------|-------------|------------|--------------------------|-----------------------------|---------------|--------------|
| 10023725 | CTB075S4C | #6 OR #8 SCREW | TYPE 11 | 20 / 9.1 | .14/3.6 | .75 [19] | .74 [19] | .19 [5] | NYLON 6/6 | NATURAL | 100 | 32 / 0 | 158 / 70 | 11 | 7 |
| 10023727 | CTB075S4M | #6 OR #8 SCREW | TYPE 11 | 20 / 9.1 | .14/3.6 | .75 [19] | .75 [19] | .19 [5] | NYLON 6/6 | NATURAL | 1000 | 32 / 0 | 158 / 70 | 11 | 7 |
| 10023729 | CTB075AA4C | ACRYLIC ADHESIVE OR #6 OR #8 SCREW | TYPE 11 | 20 / 9.1 | .14/3.6 | .75 [19] | .75 [19] | .19 [5] | NYLON 6/6 | NATURAL | 100 | 32 / 0 | 158 / 70 | 11 | 7 |
| 10023730 | CTB075AA4C0 | ACRYLIC ADHESIVE OR #6 OR #8 SCREW | TYPE 11 | 20 / 9.1 | .14/3.6 | .75 [19] | .75 [19] | .19 [5] | NYLON 6/6 | NATURAL | 100 | 32 / 0 | 158 / 70 | 11 | 7 |
| 10023731 | CTB075AA4M | ACRYLIC ADHESIVE OR #6 OR #8 SCREW | TYPE 11 | 20 / 9.1 | .14/3.6 | .75 [19] | .75 [19] | .19 [5] | NYLON 6/6 | NATURAL | 1000 | 32 / 0 | 158 / 70 | 11 | 7 |
| 10023733 | CTB075RA4C | RUBBER ADHESIVE OR #6 OR #8 SCREW | TYPE 11 | 20 / 9.1 | .14/3.6 | .75 [19] | 0.75 [19] | .19 [5] | NYLON 6/6 | NATURAL | 100 | 32 / 0 | 158 / 70 | 11 | 7 |
| 10023734 | CTB075RA4C0 | RUBBER ADHESIVE OR #6 OR #8 SCREW | TYPE 11 | 20 / 9.1 | .14/3.6 | .75 [19] | .75 [19] | .19 [5] | NYLON 6/6 | UV BLACK | 100 | 32 / 0 | 158 / 70 | 11 | 7 |
| 10023735 | CTB075RA4M | RUBBER ADHESIVE OR #6 OR #8 SCREW | TYPE 11 | 20 / 9.1 | .14/3.6 | .75 [19] | .75 [19] | .19 [5] | NYLON 6/6 | NATURAL | 1000 | 32 / 0 | 158 / 70 | 10 | 10 |
| 50034743 | CTB100S4C | #10 SCREW | TYPE 11 | 30 / 13.6 | .2/5.1 | 1.00 [25] | 1.00 [25] | .20 [5] | NYLON 6/6 | NATURAL | 100 | 32 / 0 | 158 / 70 | 10 | 10 |
| 50034744 | CTB100AA4C | ACRYLIC ADHESIVE OR #10 SCREW | TYPE 11 | 30 / 13.6 | .2/5.1 | 1.00 [25] | 1.00 [25] | .20 [5] | NYLON 6/6 | NATURAL | 100 | 32 / 0 | 158 / 70 | 11 | 7 |
| 50034746 | CTB100AA4D | ACRYLIC ADHESIVE OR #10 SCREW | TYPE 11 | 30 / 13.6 | .2/5.1 | 1.00 [25] | 1.00 [25] | .20 [5] | NYLON 6/6 | NATURAL | 500 | 32 / 0 | 158 / 70 | 11 | 7 |
| 50034745 | CTB100AA4C0 | ACRYLIC ADHESIVE OR #10 SCREW | TYPE 11 | 30 / 13.6 | .2/5.1 | 1.00 [25] | 1.00 [25] | .20 [5] | NYLON 6/6 | UV BLACK | 100 | 32 / 0 | 158 / 70 | 11 | 7 |



4 WAY
MOUNTING

NOTES:

1. DIMENSIONS IN BRACKETS [] ARE IN MILLIMETERS ROUNDED OFF TO THE NEAREST MILLIMETER, UNLESS OTHERWISE SPECIFIED AND ARE FOR REFERENCE ONLY.

| BURNDY® ITEM NUMBER | BURNDY® CATALOG NUMBER | MOUNTING METHOD | UL TYPE DESIGNATION | MECHANICAL STRENGTH LB / KG | MAX SLOT TIE WIDTH IN/MM | DIM "A" | DIM "B" | HEIGHT DIM "C" | MATERIAL | COLOR | PKG QTY | MIN OPR TEMP F / C | MAX OPR TEMP F / C | BAG HEIGHT | BAG WIDTH |
|------------------------|------------------------------|----------------------------------|------------------------|-----------------------------------|--------------------------------|--------------|--------------|-------------------|-----------|----------|------------|--------------------------|--------------------------|---------------|--------------|
| 50034747 | CTB100RA4C | RUBBER ADHESIVE OR #10 SCREW | TYPE 11 | 30 / 13.6 | .2/5.1 | 1.00 [25] | 1.00 [25] | .20 [5] | NYLON 6/6 | NATURAL | 100 | 32 / 0 | 158 / 70 | 11 | 7 |
| 50034751 | CTB100RA4L | RUBBER ADHESIVE OR #10 SCREW | TYPE 11 | 30 / 13.6 | .2/5.1 | 1.00 [25] | 1.00 [25] | .20 [5] | NYLON 6/6 | NATURAL | 50 | 32 / 0 | 158 / 70 | 11 | 7 |
| 50034748 | CTB100RA4C0 | RUBBER ADHESIVE OR #10 SCREW | TYPE 11 | 30 / 13.6 | .2/5.1 | 1.00 [25] | 1.00 [25] | .20 [5] | NYLON 6/6 | UV BLACK | 100 | 32 / 0 | 158 / 70 | 11 | 7 |
| 50034749 | CTB100RA4D | RUBBER ADHESIVE OR #10 SCREW | TYPE 11 | 30 / 13.6 | .2/5.1 | 1.00 [25] | 1.00 [25] | .20 [5] | NYLON 6/6 | NATURAL | 500 | 32 / 0 | 158 / 70 | 10 | 10 |
| 10023749 | CTB150AA4C | ACRYLIC ADHESIVE OR #10 SCREW | -- | 30 / 13.6 | .35/8.9 | 1.5 [38] | 1.5 [38] | .25 [6] | NYLON 6/6 | NATURAL | 100 | 32 / 0 | 158 / 70 | 11 | 7 |
| 10023753 | CTB150RA4C | RUBBER ADHESIVE OR #10 SCREW | -- | 30 / 13.6 | .35/8.9 | 1.5 [38] | 1.5 [38] | .25 [6] | NYLON 6/6 | NATURAL | 100 | 32 / 0 | 158 / 70 | 11 | 7 |
| 10023751 | CTB150AA4B | ACRYLIC ADHESIVE OR #10 SCREW | -- | 30 / 13.6 | .35/8.9 | 1.5 [38] | 1.5 [38] | .25 [6] | NYLON 6/6 | NATURAL | 500 | 32 / 0 | 158 / 70 | 11 | 7 |
| 10023754 | CTB150RA4C0 | RUBBER ADHESIVE OR #10 SCREW | -- | 30 / 13.6 | .35/8.9 | 1.5 [38] | 1.5 [38] | .25 [6] | NYLON 6/6 | UV BLACK | 100 | 32 / 0 | 158 / 70 | 11 | 7 |
| 10023755 | CTB150RA4B | RUBBER ADHESIVE OR #10 SCREW | -- | 30 / 13.6 | .35/8.9 | 1.5 [38] | 1.5 [38] | .25 [6] | NYLON 6/6 | NATURAL | 500 | 32 / 0 | 158 / 70 | 10 | 8 |
| 50034750 | CTB100RA2C | RUBBER ADHESIVE OR #10 SCREW | -- | 30 / 13.6 | .2/5.1 | 1.00 [25] | 1.00 [25] | .19 [5] | NYLON 6/6 | NATURAL | 100 | 32 / 0 | 158 / 70 | 11 | 7 |
| 10025425 | CTB150S4B | #6 OR #8 SCREW | -- | 30 / 13.6 | .35/8.9 | 1.5 [38] | 1.5 [38] | .25 [6] | NYLON 6/6 | NATURAL | 250 | 32 / 0 | 158 / 70 | 11 | 10 |

